

Debris Chutes

DEBRIS CHUTE



THE PLASTIC

The durability and life of the chute depend on the quality of the plastic. Superchute® uses a high grade polyethylene that is extremely resistant to abrasion and temperature extremes.

The plastic is unaffected by sub-zero temperature as low as -156° F (-100° C) which explain why Alaskan contractors insist on using Superchute®.

To resist sunlight degradation, the plastic is UV treated.

PLASTIC COLOR

Any color you like, as long as it is yellow! Our brilliant yellow plastic is a visible, safety-minded color and does a great job of showing off your name plate.

SUPERCHUTE® SPREADER BAR

Use the Superchute® Spreader Bar to attach a length of chute to a hoist or crane cable.

Superchute® manufactures two Spreader Bars to meet your needs:

The Light Duty Spreader Bar has cables and features a working load limit of 1000 lb. (450 kg).

The Heavy Duty Spreader Bar has chains and features a working load limit of 2000 lb. (900 kg).

THE LIGHT DUTY SPREADER BAR



THE HEAVY DUTY SPREADER BAR



DEBRIS CHUTE

SUPERCHUTE® SECTION AND LINER WEIGHTS

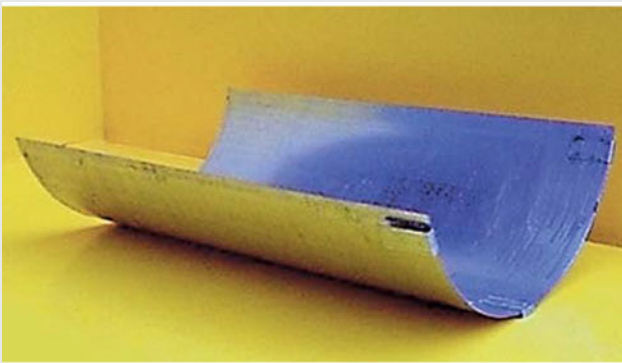
Before a chute is installed its total weight must be known. Knowing the weight of the chute enables the installer to choose a Chute Hoist, or similar, with sufficient load capacity.

Chute Specs		The Weight of Each Section in lb.						liners (in steel)
		Wraparounds Design			Welded Design			
Diameter	Wall Gauge	Regular	Top Hopper	Door	Regular	Top Hopper	Door	
18"	5 mm	-	-	-	23	24	29*	23
23"	5 mm	30	30	40	27	29	36	32
27"	5 mm	34	41	47	32	34	41	37
30"	5 mm	39	41	50	36	39	47	40
30"	4 mm	31	-	-	27	-	-	40
30"	3.2 mm	28	-	-	-	-	-	40
33"	5 mm	43	48	75	-	40	50	48
36"	5 mm	46	55	64	-	46	57	53

* - signifies that no such section exists.

STEEL LINERS

Use Superchute® Steel Liners to protect heavy-wear areas in your chute system, for example:



- The last few sections curving into the container
- The back wall of a door section
- The back wall of a top hopper

Superchute® Liners feature:

- 14 gauge galvanized steel construction
- Brackets for easy attachment to the wall
- Two hand-holds
- Painted diameter specs.
- Stainless steel warning label

Liners are available for all six chute section diameters:

Chute Diameter	Weight of Liner
18"	23 lb.
23"	32 lb.
27"	37 lb.
30"	40 lb.
33"	48 lb.
36"	53 lb.

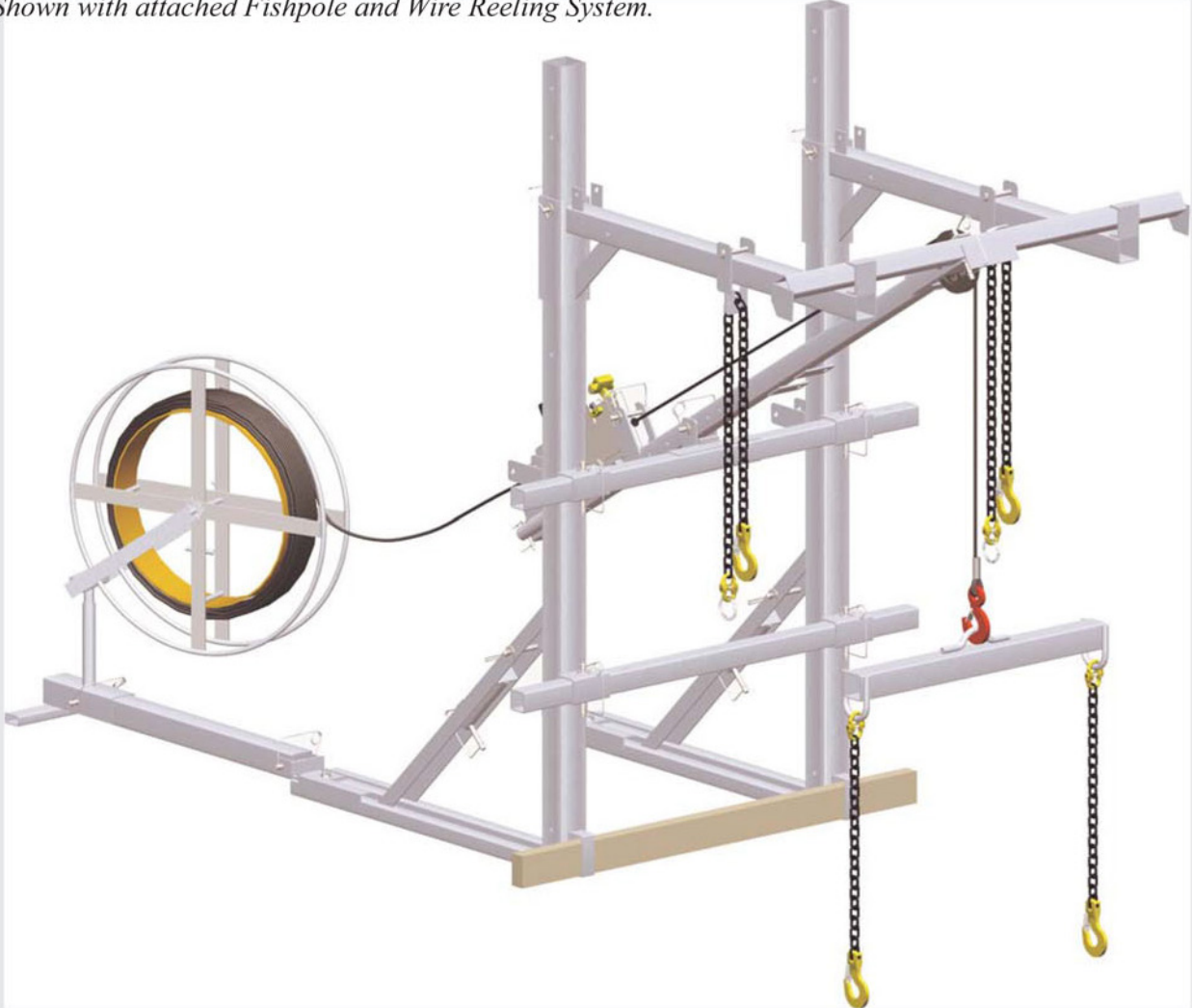


DEBRIS CHUTE

BOLT DOWN FRAMES

Model SC-750-bd

Shown with attached Fishpole and Wire Reeling System.



DEBRIS CHUTE

AN INTRODUCTION TO ...

Bolt Down Frames: SC-250-bd, SC-500-bd, SC-750-bd, SC-1000-bd & SC-1500-bd

The Superchute® Bolt Down Frame is a popular chute hoist that attaches to a concrete floor slab using 2 expansion anchor bolts (supplied). On jobs where drilling into the floor is not possible, the Frame can be secured using a Counterweight Conversion Kit.

Each Frame ships and stores as a neat, compact rectangular packet, and assembles in 5 minutes using only 6 locking pins. Built-in storage tubes hold the anchor bolts. There are no loose pieces.

Five Frame models are available. These offer a maximum chute load capacity of 250 lb, 500 lb, 750 lb, 1000 lb or 1500 lb. All feature a 3:1 safety factor. The length of chute that a single Frame can lift, support, and lower depends on the diameter of chute used (larger diameter chute sections weigh more).

On jobs where a taller chute is needed, Frames can be piggybacked on successive floors to achieve a maximum chute height of 200 ft.

Raise and lower the chute using a crane, boom lift, or the removable Fishpole. A single Fishpole can serve many frames of the same model.

The SC-250-bd and SC-500-bd Frames share the same Fishpoles as do the SC-750-bd and SC-1000-bd (3 Fishpole models are available: one has a drum winch with 90' of cable, the other two have a traction winch for cases where a longer cable is needed)

U.S. Pat. 5,934,437



**WHEN PROPERLY USED. MEETS OSHA'S
FALL PROTECTION REQUIREMENTS**

**THE ADEQUACY
OF THE SUPPORTING
STRUCTURE NEED TO
BE VERIFIED BY A
STRUCTURAL
ENGINEER**

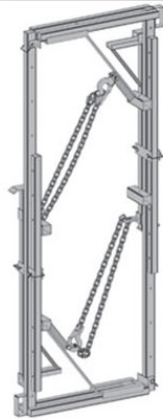


DEBRIS CHUTE

INSTALLATION OVERVIEW

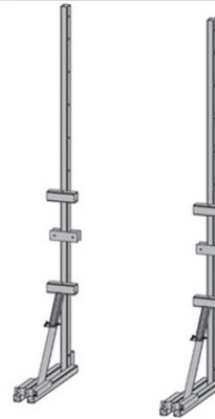
SC-250-BD

STEP
1



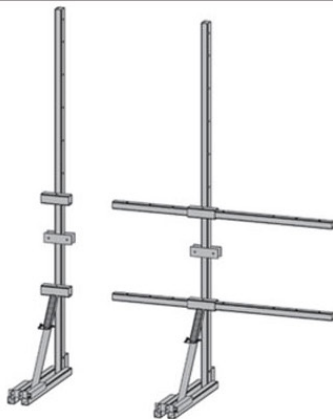
Start with a closed packet.

STEP
2



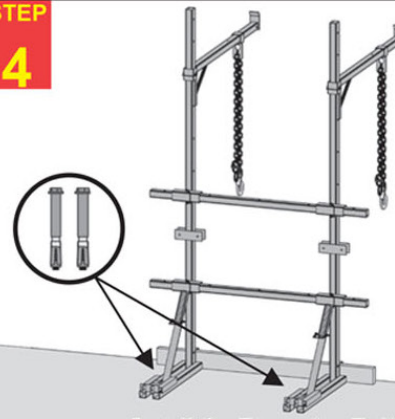
Place the Masts side by side.

STEP
3



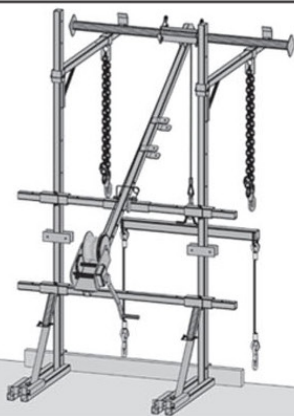
Insert the Tie Bars.

STEP
4



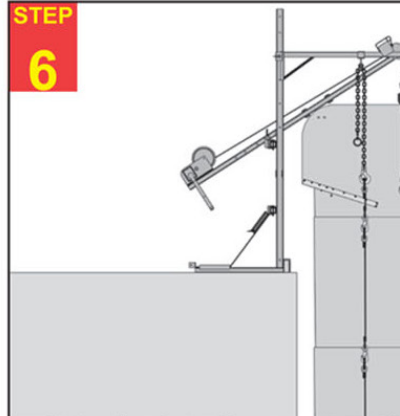
Install the Expansion Bolts.
Insert Toeboard. Attach Booms.

STEP
5



Install the Fishpole and lower the Spreader Bar.

STEP
6



Raise the chute. Connect Boom Chains to Chute.
Unclip Spreader Bar and remove Fishpole.

DEBRIS CHUTE

DIMENSIONS OF THE BOLT DOWN FRAMES

Secured using Expansion Anchor Bolts (Top View)

Model SC-250-bd

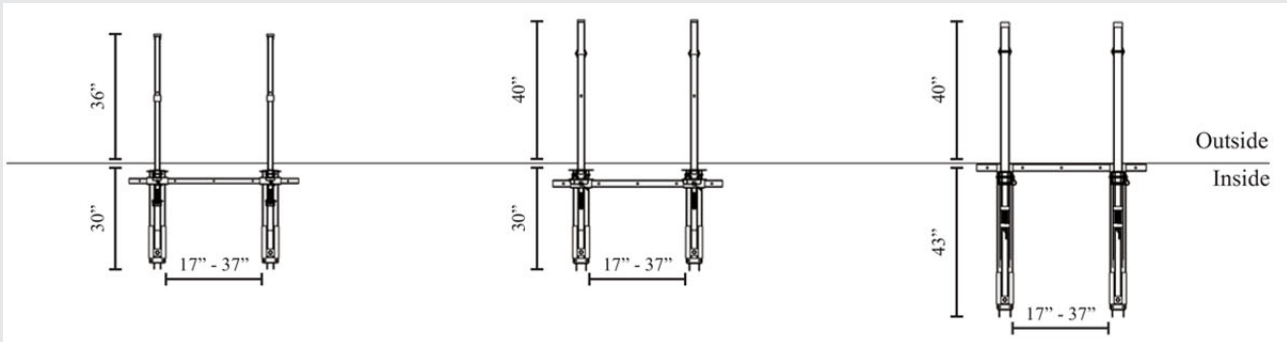
Frame Weight: 110 lb.
Fishpole Weight: 70 lb.
Mast Height: 6'6"

Model SC-500-bd

Frame Weight: 190 lb.
Fishpole Weight: 70 lb.
Mast Height: 6'6"

Model SC-750-bd

Frame Weight: 210 lb.
Fishpole Weight: 95 lb.
Mast Height: 6'6"

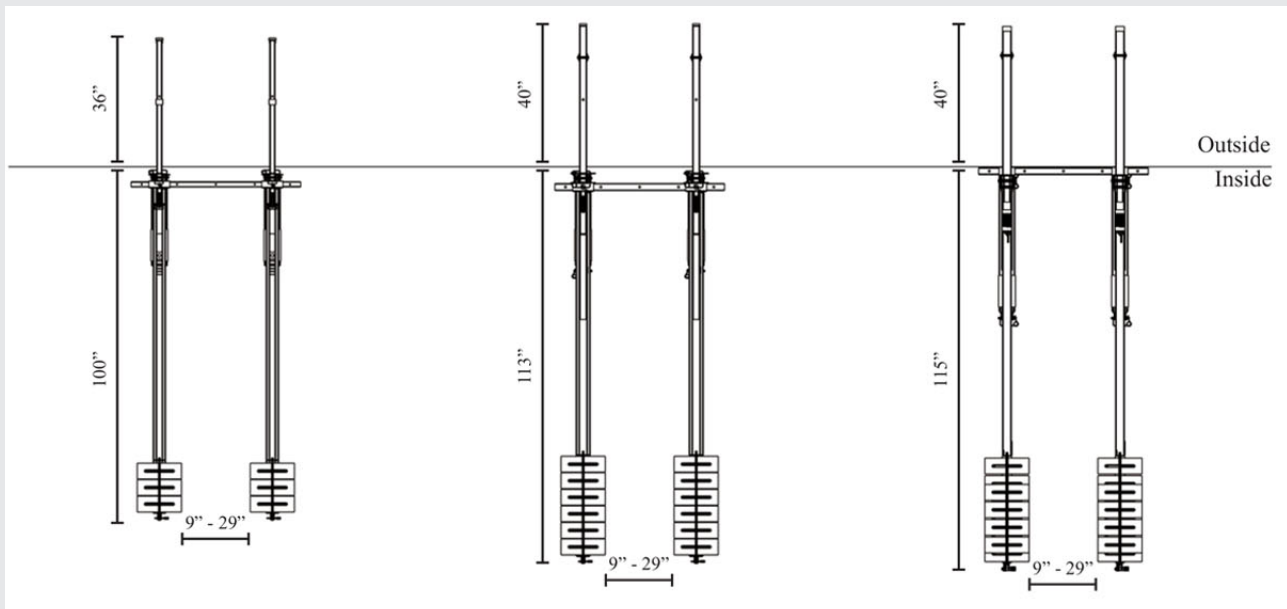


Secured using Counterweights (Top View)

Frame Weight: 190 lb.
Counterweights:: 330 lb.

Frame Weight: 300 lb.
Counterweights:: 660 lb.

Frame Weight: 370 lb.
Counterweights:: 1100 lb.



DEBRIS CHUTE

DIMENSIONS OF THE BOLT DOWN FRAMES

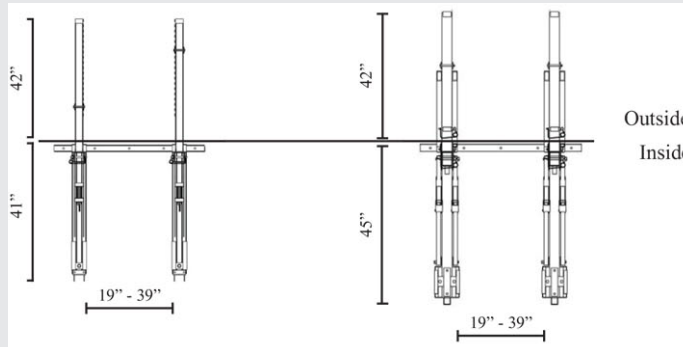
Secured using Expansion Anchor Bolts (Top View)

Model SC-1000-bd

Frame Weight: 275 lb.
Fishpole Weight: 115 lb.
Mast Height: 6'6"

Model SC-1500-bd

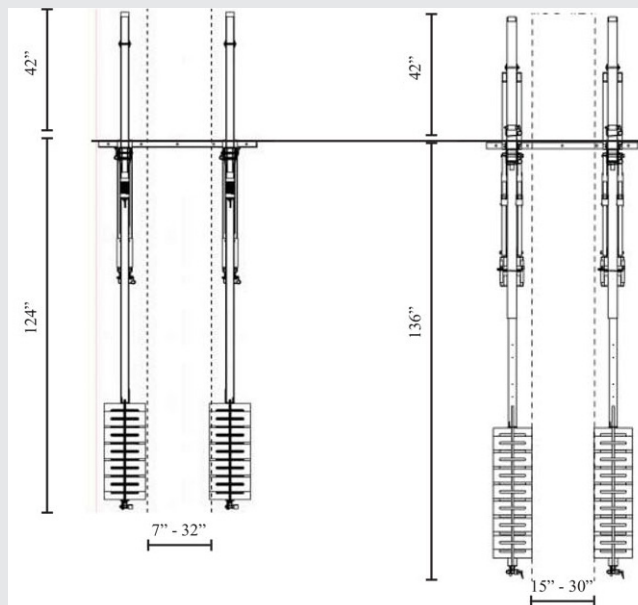
Frame Weight: 300 lb.
Fishpole Weight: 30 lb.
Mast Height: 6'6"



Secured using Counterweights (Top View)

Frame Weight: 415 lb.
Counterweights: 1210 lb.

Frame Weight: 500 lb.
Counterweights: 1650 lb.



LOCATION

Al Waab City – Salwa Road, 1st Floor, Office No.A, Above HSBC Bank
P.O. Box: 23910 Doha-Qatar
Phone: Tel : +974 4451 3301/02/03
Fax: +974 4451 3305
Email: contact@unitech-qatar.com

